

The

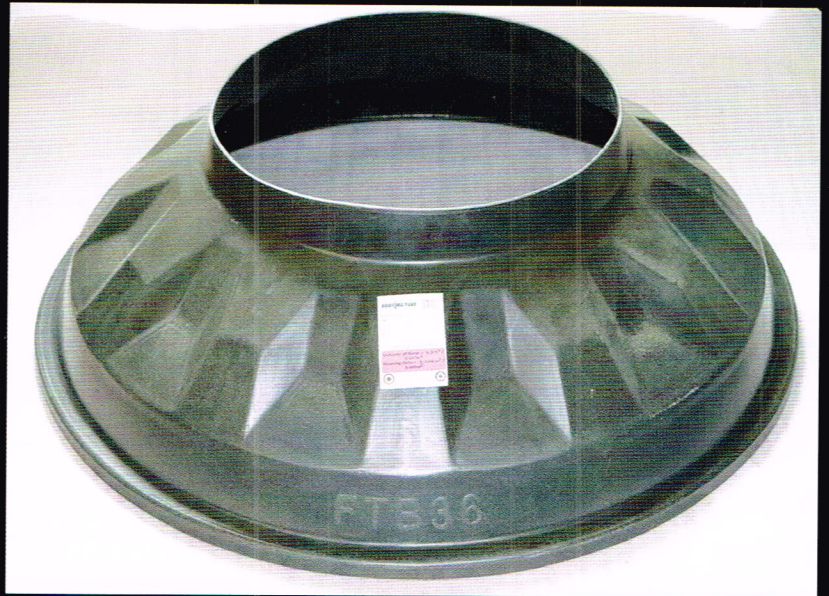
# FOOTING TUBE

A division of CLIFFCORP Inc



## New Release for 2020 !!

### INTRODUCING THE FTB36 !!



A whopping 220 % more bearing  
than the standard Footing Tube  
base

FTB36 works under our 8 Foot ,  
8" & 10"/12" Footing Tubes

39" bearing diameter , great for  
those heavy loads

Order it through your local  
Footing Tube supplier !!



Developed and Made in  
Canada



100 % Recycled  
Materials





## TECHNICAL SPECIFICATIONS

Visit [www.foottube.com](http://www.foottube.com) for an Installation Manual, Resources & Features , CAD Drawings, Product Availability & Much More!!

Installation :

**Step 1:** Excavate to depth required that will eliminate frost from penetrating under pier

**Step 2 :** Install FTB36 base in desired location

**Step 3 :** Install Footing Tube on top as per instructions on tube

LOAD BEARING TABLE			
Soil Description	Allowable Bearing Pressure kPa = psf	<b>**NEW**</b> <b>FTB36</b> Lbs / tube	FTB30 Lbs / tube
<b>Base area</b>	<b>1.0ft<sup>2</sup></b>	<b>8.3 ft<sup>2</sup></b>	<b>4.9 ft<sup>2</sup></b>
Dense or Compact Sand or Gravel	150=3132	25995	15346
Loose Sand or Gravel	50=1044	8665	5115
Dense or Compact Silt	100=2088	17330	10231
Stiff Clay	150=3132	25995	15346
Firm Clay	75=1566	12998	7673
Soft Clay	40=835	6930	4091
Till	200=4177	34669	20467
Clay Shale	300=6265	52000	30698
Sound Bedrock	500=10442	86668	51165

\*\* Please verify all load bearing requirements with the local building officials or a qualified engineer.

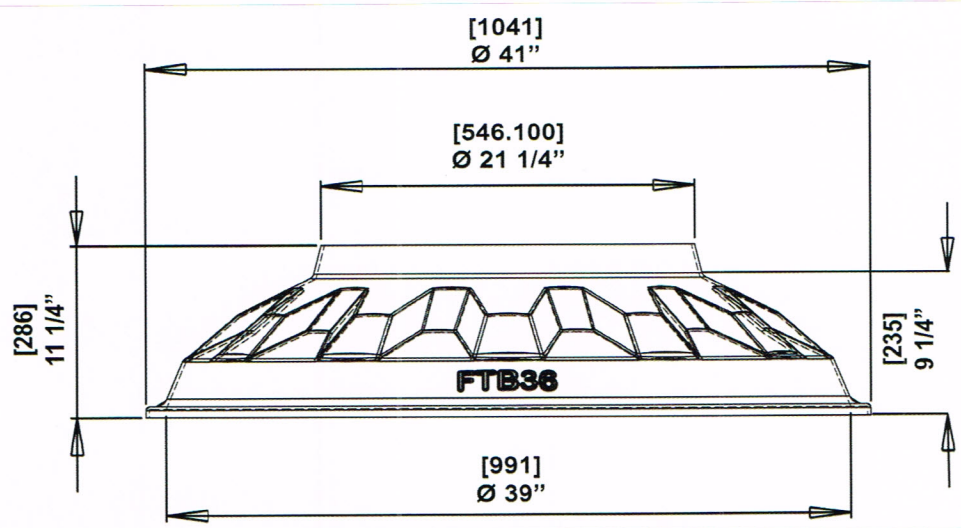
### FTB36



**Concrete Volume**

5.2ft<sup>3</sup> (0.147m<sup>3</sup>)

Used under **8", 10/12"** & **8 Foot** Footing Tubes to increase load bearing area.



## Do It Once!! Do It Right!!