

sfsfsdfsdfs

The

# FOOTING TUBE

A division of CLIFFCORP Inc



**The ULTIMATE  
Concrete Pier Form!!**

**VOTED #1  
By CONTRACTORS!**

**DO IT ONCE!!  
DO IT RIGHT!!**



**Shift Happens!!!**

**Be Sure Your  
Project Doesn't!!**

**Easily Installed  
in Any Weather**

**www.foottube.com**

Supplied By:



Made in Canada from  
Recycled Polyethylene

Canadian Patent # 2,179,701  
US Patent # 6,318,700

CCMC Evaluation # 13309-R



# The FOOTING TUBE

A division of CLIFFCORP Inc

Size Chart		
Height Inches (mm)	8" Footing Tube	10/12" Footing Tube
64" (1627)		10" (254)
62" (1575)	8" (203)	12" (305)
60" (1524)	8.24" (209)	12.28" (312)
58" (1473)	8.48" (215)	12.56" (319)
56" (1422)	8.72" (222)	12.84" (326)
54" (1372)	8.96" (228)	13.12" (333)
52" (1321)	9.2" (234)	13.40" (340)
50" (1270)	9.44" (240)	13.68" (348)
48" (1219)	9.68" (246)	13.96" (355)
46" (1168)	9.92" (252)	14.24" (362)
44" (1118)	10.16" (258)	14.52" (369)
42" (1067)	10.4" (264)	14.80" (376)
40" (1016)	10.64" (270)	15.08" (383)
38" (965)	10.88" (276)	15.36" (390)
36" (914)	11.12" (283)	15.64" (397)
Base Outside	24" (610)	24" (610)
Base Inside	21.75" (553)	21.75" (553)
Concrete Volume	4.8 ft <sup>3</sup> (.136m <sup>3</sup> )	8.5 ft <sup>3</sup> (.24 m <sup>3</sup> )

## TECHNICAL SPECIFICATIONS

Visit [www.foottube.com](http://www.foottube.com) for Installation Manual, CCMC Evaluation Report 13309-R, CAD Drawings, Availability & Much More!!

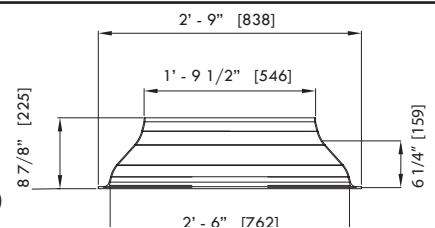
Load Bearing Table**			
Soil Description	Allowable Bearing Pressure kPa = psf	8" & 10/12" Footing Tube lbs/tube	FTB30 lbs/tube
Base area		2.58 ft <sup>2</sup>	4.9 ft <sup>2</sup>
Dense or Compact Sand or Gravel	150=3132	8080	15346
Loose Sand or Gravel	50=1044	2693	5115
Dense or Compact Silt	100=2088	5387	10231
Stiff Clay	150=3132	8080	15346
Firm Clay	75=1566	4040	7673
Soft Clay	40=835	2154	4091
Till	200=4177	10776	20467
Clay Shale	300=6265	16163	30698
Sound Bedrock	500=10442	26940	51165

Please verify all load bearing requirements with the local building officials or a qualified engineer.

### FTB30



Concrete Volume  
 when used with tubes 2.13 ft<sup>3</sup> (.06m<sup>3</sup>)  
 when used without tubes 2.7 ft<sup>3</sup> (.076 m<sup>3</sup>)



Used under 8" & 10/12" Footing Tubes to increase load bearing area.

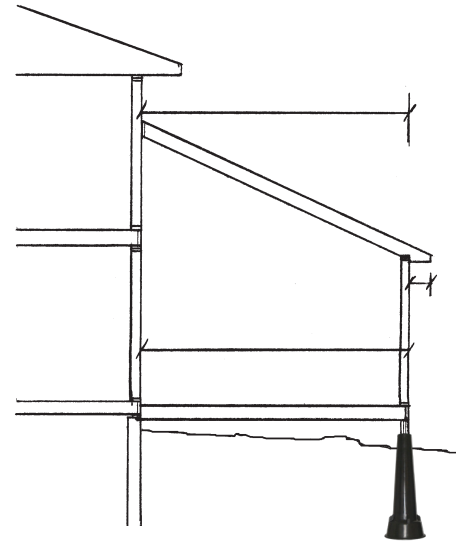
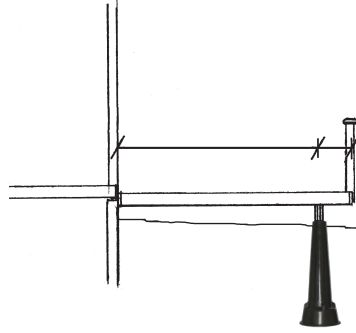
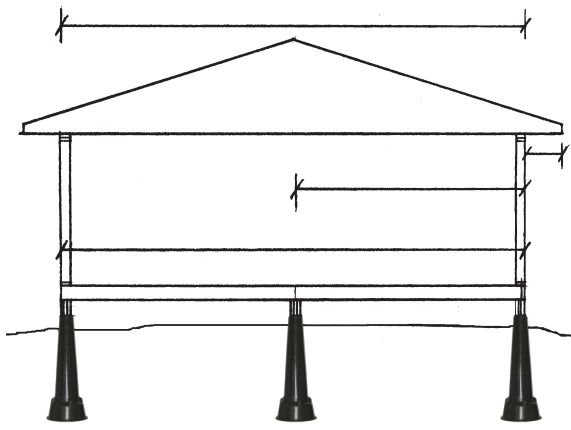
## Do It Once!! Do It Right!!

# The FOOTING TUBE

A division of CLIFFCORP Inc

## FORMULA TO CALCULATE LOADS OF BUILDINGS

Cottage or House	Deck/Balcony	Addition
------------------	--------------	----------



### Deck Formula:

$$\frac{\text{deck joist length to centre of beam in lin. ft.}}{\div 2} + \frac{\text{over hang}}{\text{}} \times \left( \frac{\text{design live load for balconies unfactored + dead load in lbs.}}{\text{}} + \frac{\text{}}{\text{}} \right) = \frac{\text{lbs/lin. ft.}}{\text{}} \times \frac{\text{length of deck}}{\text{}} = \frac{\text{weight in lbs-deck beam to support}}{\text{}}$$

### Floor Formula:

$$\frac{\text{floor joist length in lin.ft. to next support beam}}{\div 2} \times \left( \frac{\text{live load in lbs. + dead load in lbs.}}{\text{}} + \frac{\text{}}{\text{}} \right) = \frac{\text{lbs/lin. ft.}}{\text{}} \times \frac{\text{length of floor}}{\text{}} = \frac{\text{weight in lbs-floor load/side}}{\text{}}$$

### Roof Formula:

$$\frac{\text{truss length in lin. ft.}}{\div 2} + \frac{\text{over hang}}{\text{}} \times \left( \frac{\text{design live load for roof trusses unfactored + dead load in lbs.}}{\text{}} + \frac{\text{}}{\text{}} \right) = \frac{\text{lbs/lin. ft.}}{\text{}} \times \frac{\text{length of roof}}{\text{}} = \frac{\text{weight in lbs-roof load/side}}{\text{}}$$

$$\text{Exterior wall weight at 100lbs/lin.ft.} \times \frac{\text{lin.ft. supported}}{\text{}} = \frac{\text{weight in lbs-wall load/side}}{\text{}}$$

$$\text{Total load to be supported by piers} = \frac{\text{lbs}}{\div \frac{\text{Soil type bearing Pressure / tube}}{\text{}}} = \frac{\text{}}{\text{}} = \frac{\text{\# of tubes required}}{\text{}}$$

See Load Bearing Table \*\*

**Note:** This is a guide only! All loads & placement of piers to be verified by someone qualified in your area.

# INSTALLATION INSTRUCTIONS

See INSTALLATION MANUAL at [www.foottube.com/techspecs.htm](http://www.foottube.com/techspecs.htm) for more information

## Step 1

Excavate to depth required that will eliminate frost from going under pier



## Step 2

Install in desired location. (centre and Level on Safety Top)



## Step 3

Backfill to grade required before pouring concrete. **Minimum 3ft.** (using coarse rock fill may damage tube)



## Step 4

Remove Safety Top along scribed line and fill with concrete to desired height.



When required the FTB30 can be installed under the 8" and 10/12" Footing Tube (adds 90% more load bearing area)

## Step 1-A

Install FTB30 in desired location.

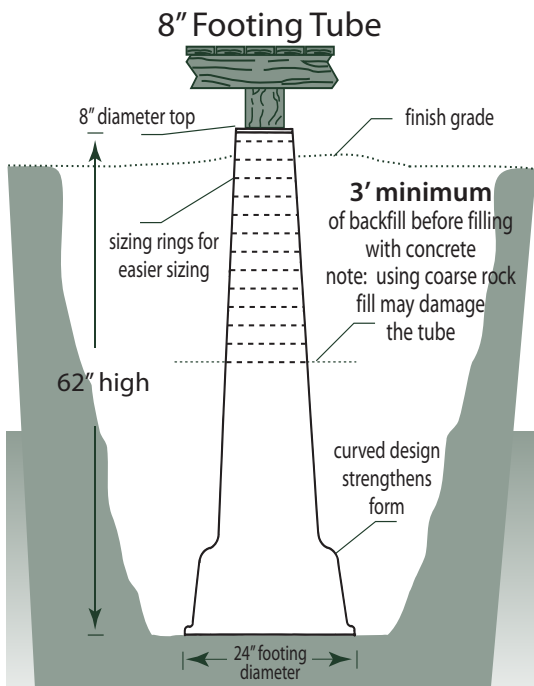
\* This will increase the height of the Footing Tube by 6.35" (158.75mm)



## Step 1-B

Adjust Footing Tube and make level on FTB30.

\* Footing Tube can be secured to the FTB30 with screws to stabilize.



## CONCRETE REQUIRED PER TUBE:

8" Footing Tube . . . . . 4.8 ft<sup>3</sup> = .136 m<sup>3</sup>

10/12" Footing Tube .. 8.5 ft<sup>3</sup> = .24 m<sup>3</sup>.

FTB30 used with tubes . . . . . 2.13 ft<sup>3</sup> = .06 m<sup>3</sup>

FTB30 used without tubes . . . . . 2.7 ft<sup>3</sup> = .076 m<sup>3</sup>

Please Direct All Inquiries to:

Tel: 506-363-3959

Toll Free: 1-888-929-2011

Fax: 506-363-3960

Email: [concrete@foottube.com](mailto:concrete@foottube.com)



5290 Route 102

Upper Kingsclear, NB Canada

E3E 2P7

[www.foottube.com](http://www.foottube.com)