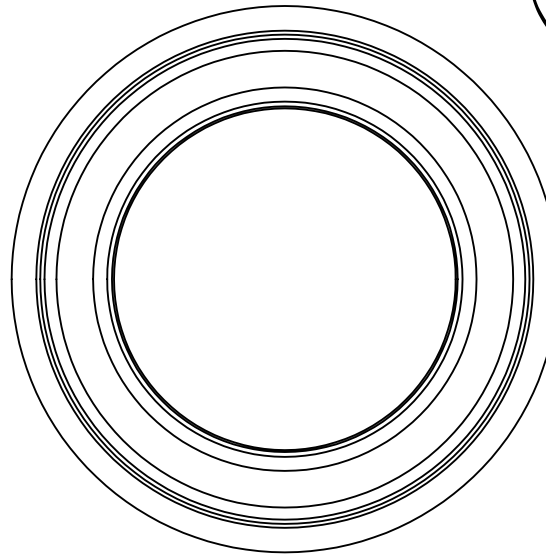
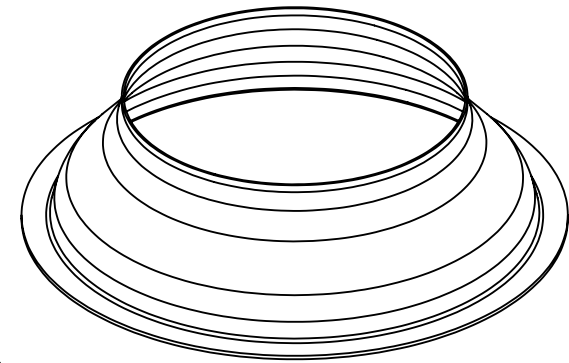


VOLUME OF CONCRETE:
2.7 cu.ft
or
0.076 cu. meter



TOP VIEW



ISOMETRIC
VIEW



NOTE:

WHEN USED WITH F-TUBE

TOTAL cu. ft. OF CONCRETE WILL BE

cu. ft of FTUBE + 2.13 cu.ft or + 0.06 cu. meter

PROPRIETARY AND CONFIDENTIAL
THE INFORMATION CONTAINED IN THIS
DRAWING IS THE SOLE PROPERTY OF
BRENT CLIFF. ANY REPRODUCTION IN
PART OR AS A WHOLE WITHOUT THE
WRITTEN PERMISSION OF BRENT CLIFF IS
PROHIBITED.

UNLESS OTHERWISE SPECIFIED:		NAME	DATE	TITLE: 30" FOOTING TUBE BASE			
DIMENSIONS ARE IN INCHES/MM		DRAWN	MN			OCT 06	
TOLERANCES:		CHECKED	BC				
FRACTIONAL ±		ENG APPR.					
ANGULAR: MACH ± BEND ±		MFG APPR.					
TWO PLACE DECIMAL ±		Q.A.			SIZE A	DWG. NO. F-TUBEBASE.DWG	REV 2
THREE PLACE DECIMAL ±		BEARING AREA: 706 SQ. INCHES or 455483 SQ. MM		SCALE: 1:1			
INTERPRET GEOMETRIC TOLERANCING PER:		VOLUME OF CONCRETE: 2.7 cu.ft or 0.076 cu. meter					
MATERIAL 100% RECYLED POLYETHYLENE							
FINISH							
DO NOT SCALE DRAWING							

5

4

3

2

1