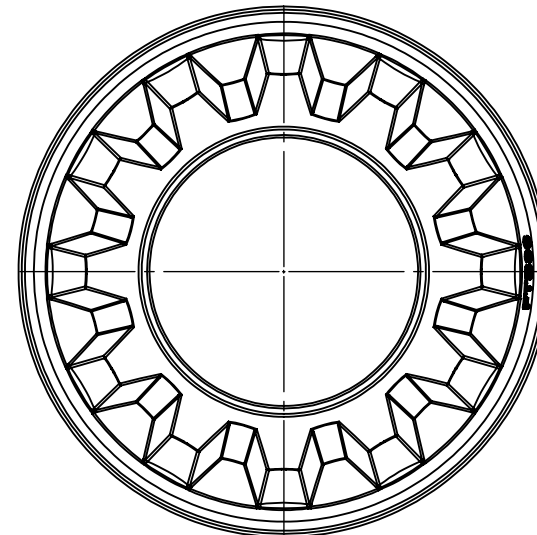


ISOMETRIC VIEW



TOP VIEW

VOLUME OF CONCRETE:
5.2 cu. ft
or
0.1472 cu. meter

UNLESS OTHERWISE SPECIFIED:		NAME	DATE			
DIMENSIONS ARE IN INCHES TOLERANCES: FRACTIONAL ± ANGULAR: MACH ± BEND ± TWO PLACE DECIMAL ± THREE PLACE DECIMAL ±	DRAWN	MN	03-2019	TITLE: 36" FOOTING TUBE BASE		
	CHECKED	BC				
	ENG APPR.					
	MFG APPR.					
INTERPRET GEOMETRIC TOLERANCING PER:	Q.A.			SIZE DWG. NO. REV A FTB36.DWG 3		
MATERIAL 100% RECYCLED POLYETHYLENE	COMMENTS: BEARING AREA: 1 348 SQ INCHES or 869 675 SQ MM		SCALE: 1:20 WEIGHT: 5 KG or 11 lbs SHEET 1 OF 1			
FINISH	VOLUME OF CONCRETE: 5.2 cu. ft or 0.1472 cu. meter					
DO NOT SCALE DRAWING						

PROPRIETARY AND CONFIDENTIAL
THE INFORMATION CONTAINED IN THIS DRAWING IS THE SOLE PROPERTY OF BRENT CLIFF. ANY REPRODUCTION IN PART OR AS A WHOLE WITHOUT THE WRITTEN PERMISSION OF BRENT CLIFF IS PROHIBITED.