



The FOOTING TUBE

A division of CLIFFCORP Inc.

Size Chart			
Height Inches (mm)	6" Footing Tube	8" Footing Tube	10/12" Footing Tube
64" (1627)	Maximum 8' load bearing for the 6" Footing Tube		10" (254)
62" (1575)		8" (203)	12" (305)
60" (1524)		8.24" (209)	12.28" (312)
58" (1473)		8.48" (215)	12.56" (319)
56" (1422)		8.72" (222)	12.84" (326)
54" (1372)	6" (152)	8.96" (228)	13.12" (333)
52" (1321)	6.24" (159)	9.2" (234)	13.40" (340)
50" (1270)	6.48" (165)	9.44" (240)	13.68" (348)
48" (1219)	6.72" (171)	9.68" (246)	13.96" (355)
46" (1168)	6.96" (177)	9.92" (252)	14.24" (362)
44" (1118)	7.20" (183)	10.16" (258)	14.52" (369)
42" (1067)	7.44" (189)	10.4" (264)	14.80" (376)
40" (1016)	7.68" (195)	10.64" (270)	15.08" (383)
38" (965)	7.92" (201)	10.88" (276)	15.36" (390)
36" (914)	8.16" (207)	11.12" (283)	15.64" (397)
Base Outside	14" (356)	24" (610)	24" (610)
Base Inside	12.50" (318)	21.75" (553)	21.75" (553)
Volume	2.3 ft ³ (.065 m ³)	4.8 ft ³ (.136 m ³)	8.5 ft ³ (.24 m ³)

TECHNICAL SPECIFICATIONS

Visit www.foottube.com for Installation Manual, CCMC Evaluation Report I3309-R, ICC Evaluation Report ESR-2424, CAD Drawings, Availability & Much More!!

Load Bearing Table**				
Soil Description	Allowable Bearing Pressure kPa = psf	6" Footing Tube lbs/tube	8" & 10/12" Footing Tube lbs/tube	FTB30 lbs/tube
Base area		.85 ft ²	2.58 ft ²	4.9 ft ²
Dense or compact sand or gravel	150=3132	2662	8080	15346
Loose sand or gravel	50=1044	887	2693	5115
Dense or compact silt	100=2088	1774	5387	10231
Stiff Clay	150=3132	2662	8080	15346
Firm clay	75=1566	1331	4040	7673
Soft Clay	40=835	709	2154	4091
Till	200=4177	3550	10776	20467
Clay Shale	300=6265	5325	16163	30698
Sound Bedrock	500=10442	8875	26940	51165

Please verify all load bearing requirements with the local building officials or a qualified engineer.

FTB30

Concrete Volume
 when used with tubes 2.13 ft³ (.06m³)
 when used without tubes 2.7 ft³ (.076 m³)

Used under 8" & 10/12" Footing Tubes to increase load bearing area.

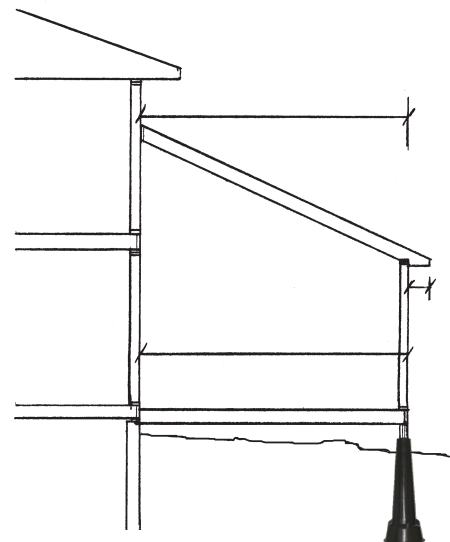
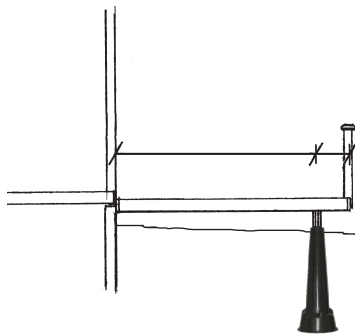
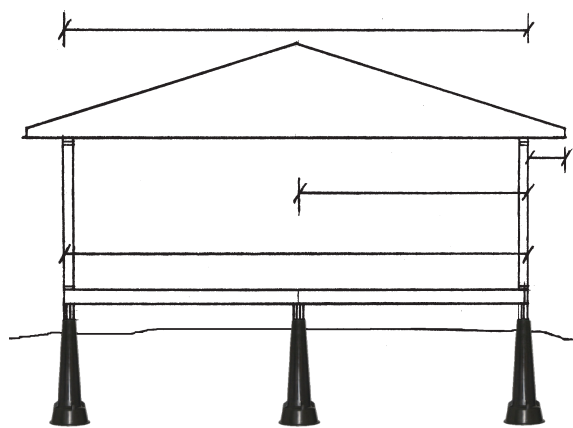
Do It Once!! Do It Right!!

The FOOTING TUBE

A division of CLIFFCORP Inc.

FORMULA TO CALCULATE LOADS OF BUILDINGS

Cottage or House	Deck/Balcony	Addition
------------------	--------------	----------



Deck Formula: (Max 8' load bearing capacity with 6" Footing Tube)

$$\frac{\text{deck joist length to centre of beam in lin. ft.}}{\div 2} + \frac{\text{over hang}}{\text{}} \times \left(\frac{\text{design live load for balconies unfactored + dead load in lbs.}}{\text{}} + \frac{\text{}}{\text{}} \right) = \frac{\text{lbs/lin. ft.}}{\text{}} \times \frac{\text{length of deck}}{\text{}} = \frac{\text{weight in lbs-deck beam to support}}{\text{}}$$

Floor Formula:

$$\frac{\text{floor joist length in lin. ft. to next support beam}}{\div 2} \times \left(\frac{\text{live load in lbs. + dead load in lbs.}}{\text{}} + \frac{\text{}}{\text{}} \right) = \frac{\text{lbs/lin. ft.}}{\text{}} \times \frac{\text{length of floor}}{\text{}} = \frac{\text{weight in lbs-floor load/side}}{\text{}}$$

Roof Formula:

$$\frac{\text{truss length in lin. ft.}}{\div 2} + \frac{\text{over hang}}{\text{}} \times \left(\frac{\text{design live load for roof trusses unfactored + dead load in lbs.}}{\text{}} + \frac{\text{}}{\text{}} \right) = \frac{\text{lbs/lin. ft.}}{\text{}} \times \frac{\text{length of roof}}{\text{}} = \frac{\text{weight in lbs-roof load/side}}{\text{}}$$

$$\text{Exterior wall weight at 100lbs/lin.ft.} \times \frac{\text{lin. ft. supported}}{\text{}} = \frac{\text{weight in lbs-wall load/side}}{\text{}}$$

$$\text{Total load to be supported by piers} = \frac{\text{lbs}}{\div \frac{\text{Soil type bearing Pressure / tube}}{\text{}}} = \frac{\text{}}{\text{}} = \frac{\text{# of tubes required}}{\text{}}$$

See Load Bearing Table**

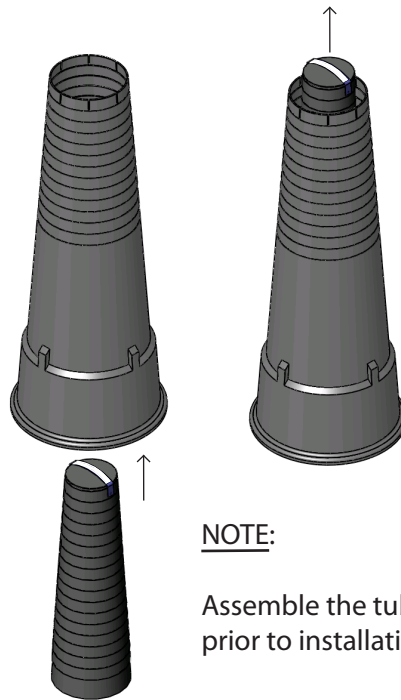
Note: This is a guide only! All loads & placement of piers to be verified by someone qualified in your area.

8 FOOT FOOTING TUBE

INSTALLATION STEPS:

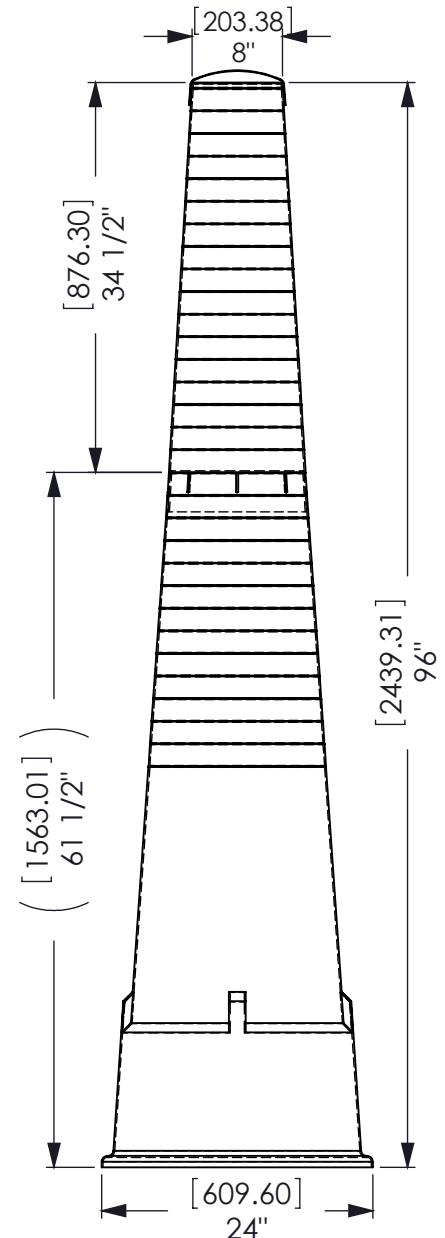
- Step 1: Insert the top portion through the bottom larger base tube by pulling on strap until it snaps in place.
(Screws or tape can be used to secure the two units together)
- Step 2: Excavate the depth required that will eliminate frost from penetrating under pier.
- Step 3: Install the 8 FOOT Footing Tube in desired location.
(Center and level Safety Top)
- Step 4: Backfill to finished grade before pouring concrete, minimum 4 ft.
(Using coarse rock fill may damage tube)
- Step 5: Remove Safety Top at desired height and fill Footing Tube with concrete.
(Pour in 12" lifts and use a pencil vibrator to ensure consistency)

ASSEMBLY DETAIL



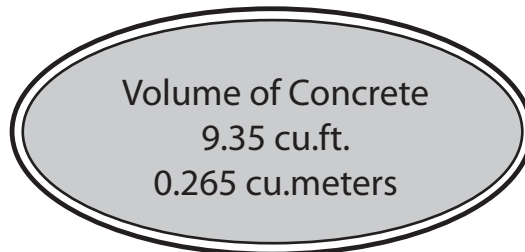
NOTE:

Assemble the tube prior to installation.



NOTE:

A larger 30" base can be achieved by adding our "FTB30" to the bottom of the 8 FOOT Footing Tube.



Please direct all inquiries to:

The Footing Tube, 5290 Route 102, Upper Kingsclear, NB E3E 2P7
Toll Free: 1-888-929-2011 Phone: 506-363-3959 Fax: 506-363-3960
Website: www.foottube.com E-mail: concrete@foottube.com